

Technical specifications

ENGINE

Number of cylinders	4
Valves per cylinder	4
Displacement	1,798 cc
Engine power	252 hp (185 kw)
at RPM	6,000
Fuel	Petrol
Maximum torque	320 Nm
at RPM	2,000 – 5,000

TRANSMISSION

Transmission type	Rear-wheel drive
Gearbox	Seven-speed dual-clutch automatic

CHASSIS

Body type	Coupe
Chassis	Aluminium frame (96%): safety cell, engine mount, front end
Front/rear axle	Double-wishbone suspension system
Turning circle between kerbs/walls	11.64 m/11.74 m
Brakes	Aluminium brake calipers with integrated parking brake, Alpine Blue calipers
Front/rear brake disc diameter	320mm
Front tyres	205/40 R18
Rear tyres	235/40 R18

WEIGHT

Kerb weight	1,103kg
Gross vehicle mass (GVM)	1,365kg

PERFORMANCE

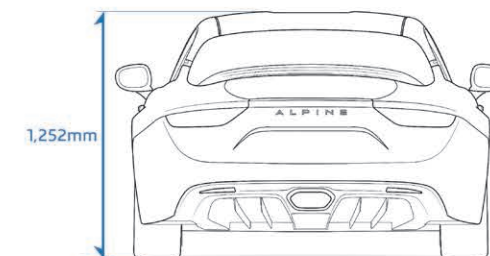
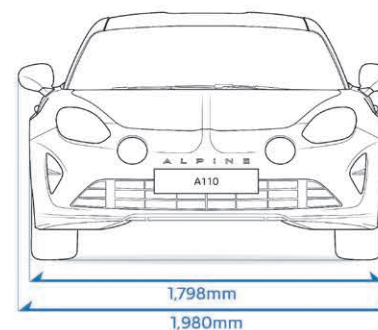
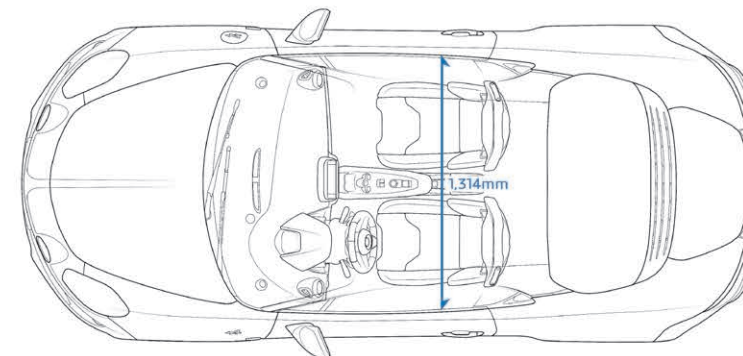
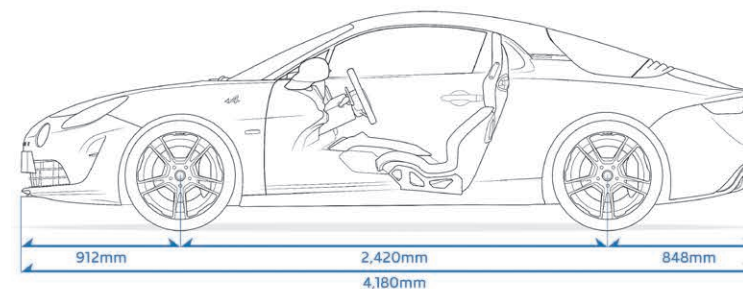
Maximum speed (electronically limited)	250 kph
0-100 kph	4.5 sec.
400 metres (standing start)	12.7 sec.
1,000 metres (standing start)	23.2 sec.

FUEL EFFICIENCY/EMISSIONS (1)

Urban fuel economy	8.2 L/100km
Extra-urban fuel economy	5.0 L/100km
Overall fuel economy	6.1 L/100km
CO ₂	138 g/km
Emission standard	Euro6b

DIMENSIONS

Length	4,180mm
Width (overall)	1,798mm (1,980 mm)
Height	1,252mm
Wheelbase	2,420mm
Front/rear boot capacity	96 L/100 L
Fuel tank capacity	45 L



(1) Official fuel consumption figures are produced for comparison purposes and are measured according to the European Regulation 692/2008 and may not reflect real life driving results. These figures are specific for a vehicle type and not for a single car. Real world fuel (actual) consumption can vary as the fuel efficiency of a vehicle is influenced by driving behaviour, weather and road conditions. The use of technical equipment for example air conditioning, can also effect the fuel consumption. For further information, please visit the Vehicle Certification Agency web site hyperlink <http://www.vca.gov.uk>.